



Interlock® Slate / Shingle Specification Manual

Interlock® Roofing

Interlock Shingle is a four way interlocking aluminum roofing system. Each shingle is coated with the Alunar® Coating System, embedded with Teflon® surface protector, which provides an extremely durable and attractive surface. A complete range of color-matching trims are provided.

The most distinctive feature of the Interlock shingle is its interlocking design. Each shingle has an interlocking edge on all four sides, as well as being nailed to the roof deck surface.

The Interlock Roofing System comes complete with a 50 Year Transferable Non-Prorated Lifetime Limited Warranty.

The Interlock Roof provides many advantages over conventional roofing, for the following reasons:

Cost Effective

When fully installed, the Interlock Roofing System helps keep your home cool in the summer, and so helps to lower your energy costs*.

*As per Cool Roof Rating Council (CCRC) and Oak Ridge National Laboratories (ORNL) Contact your local rep for details.

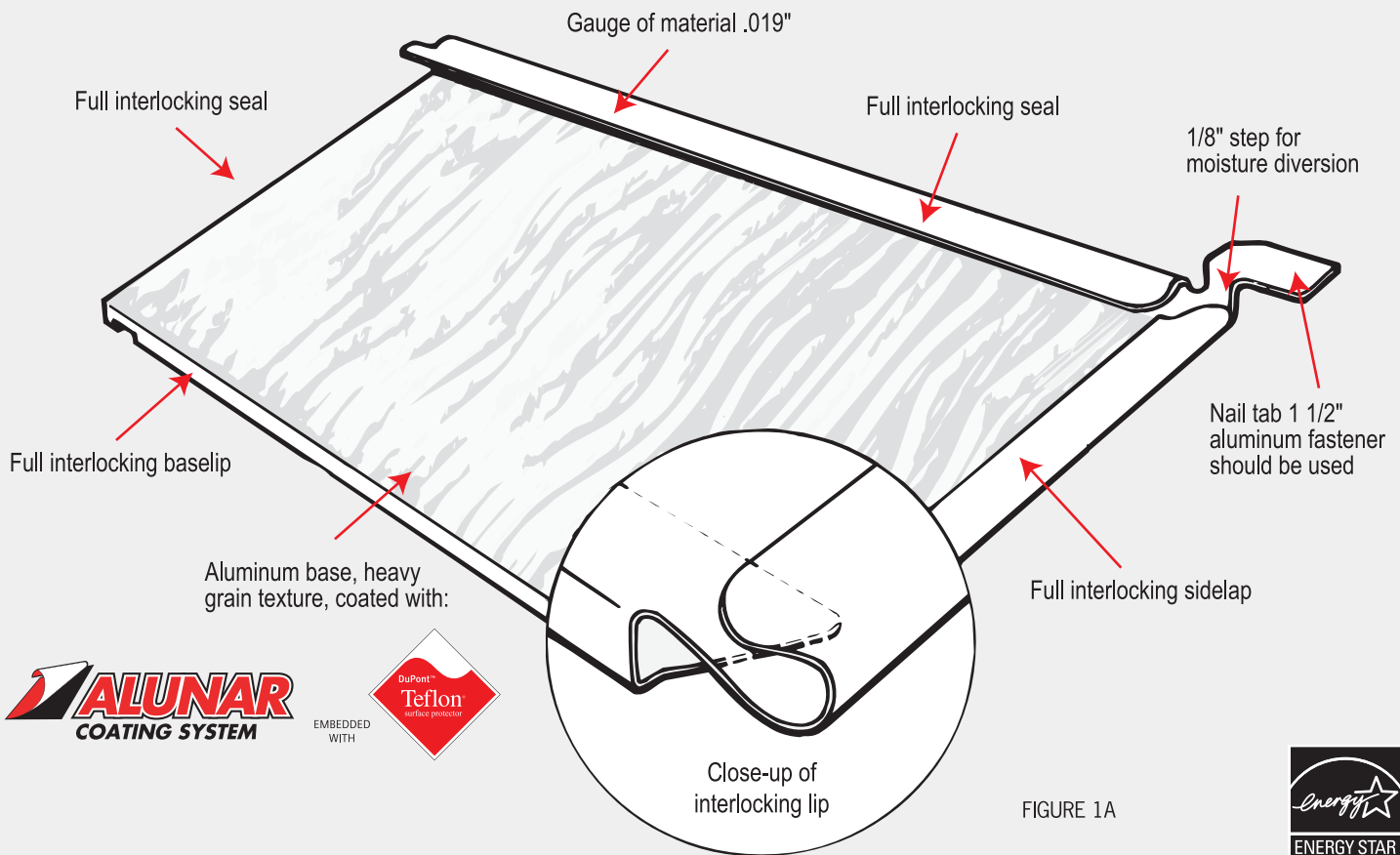
Curb Appeal

Multiple designer colors are available in matte finish and select natural weathered patterns.

Durability

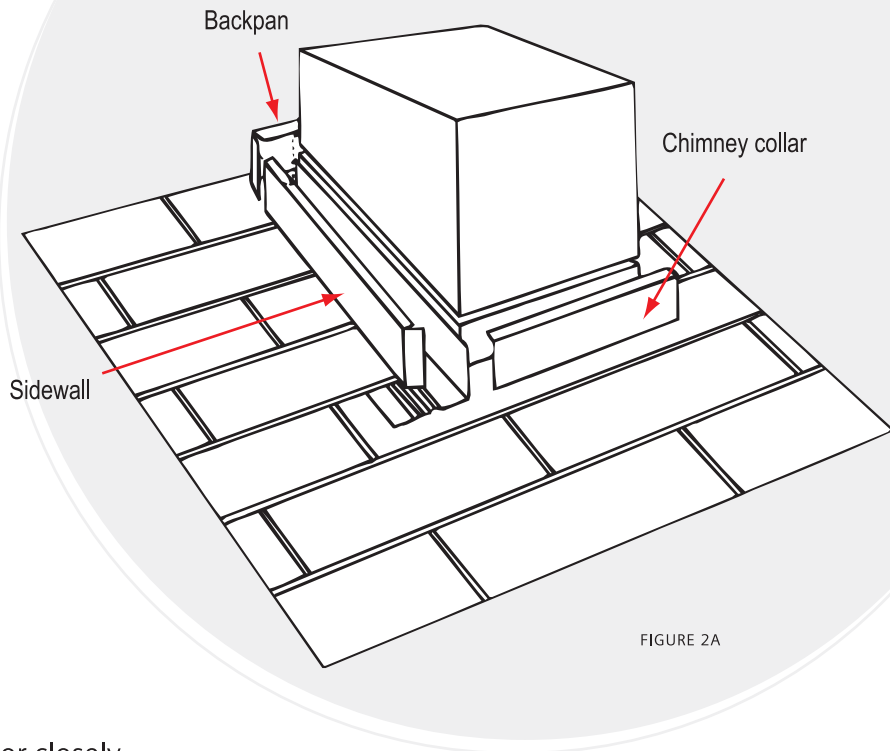
Unique design provides incredible strength and protects against severe weather.

Virtually Maintenance Free



Chimney Collar FIGURE 2A ▶

Is inserted into grooves, cut into the mortar and brick, used in accordance with end wall and side wall trims to create a weather-tight seal around the chimney.



Roof Slope FIGURE 2B ▼

Minimum 3:12 when installed with an ice & water underlayment or 4:12 minimum with standard underlayment

Trusses FIGURE 2B ▼

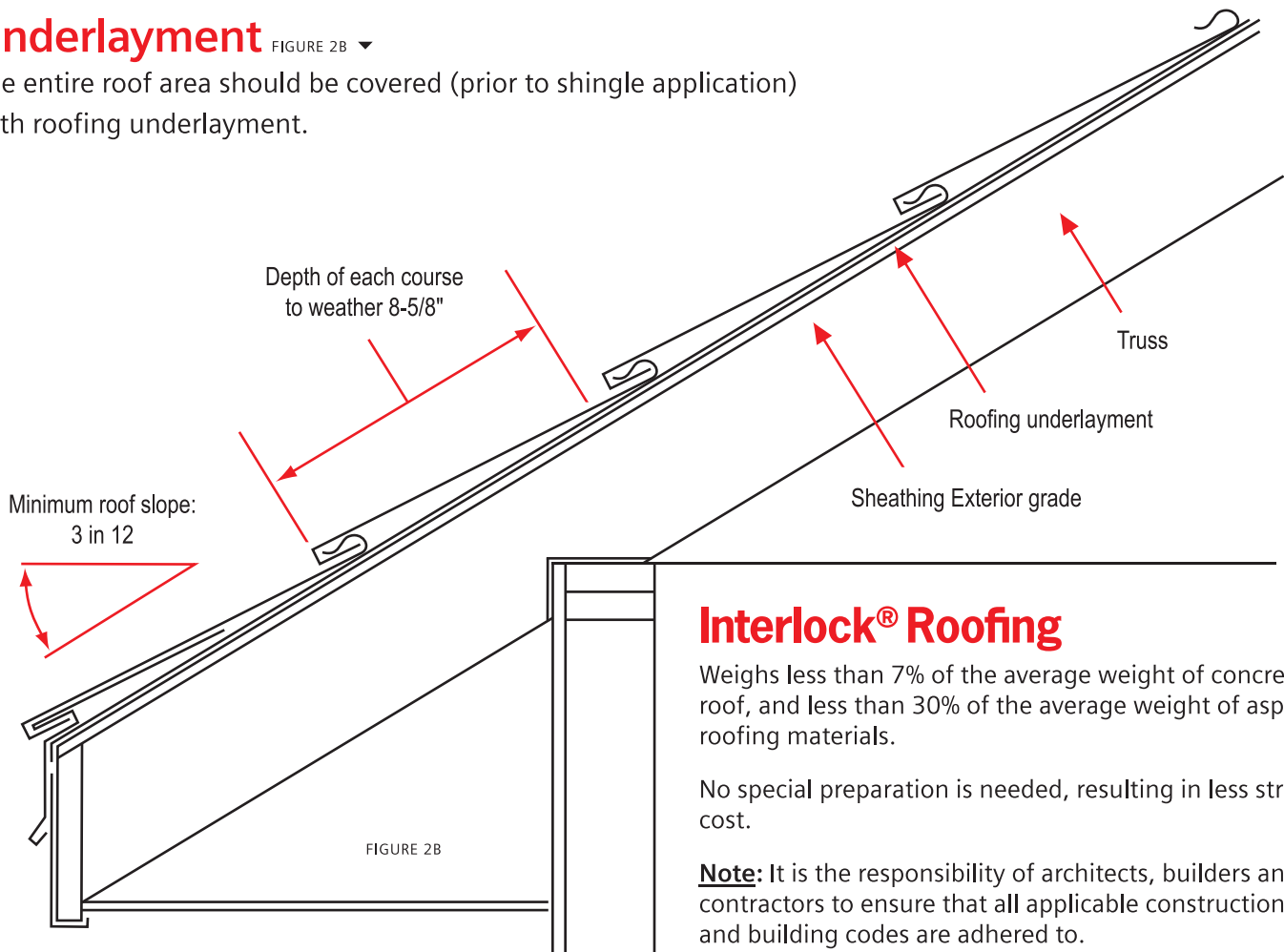
Cost reductions can be effected in specifying Interlock roof shingles, as the weight factor is considerably less than a conventional roof.

Sheathing FIGURE 2B ▼

Sheathing for the roof should be 7/16" minimum or closely fitting boards.

Underlayment FIGURE 2B ▼

The entire roof area should be covered (prior to shingle application) with roofing underlayment.



Interlock® Roofing

Weights less than 7% of the average weight of concrete tile roof, and less than 30% of the average weight of asphalt roofing materials.

No special preparation is needed, resulting in less structural cost.

Note: It is the responsibility of architects, builders and contractors to ensure that all applicable construction bylaws and building codes are adhered to.

Ridge Cap

Flexible, fits any ridge or hip roof angle. Secured with aluminum fasteners.

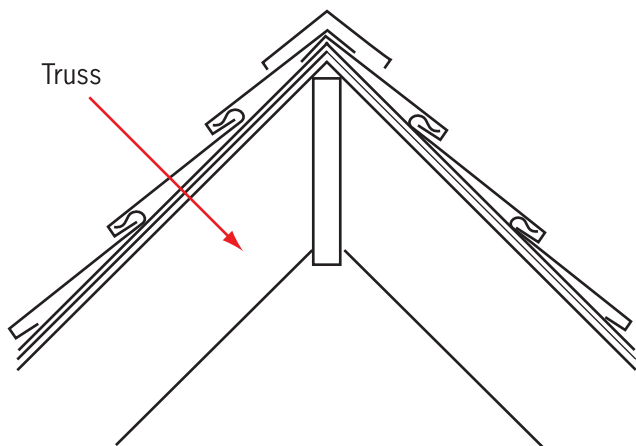


FIGURE 3A

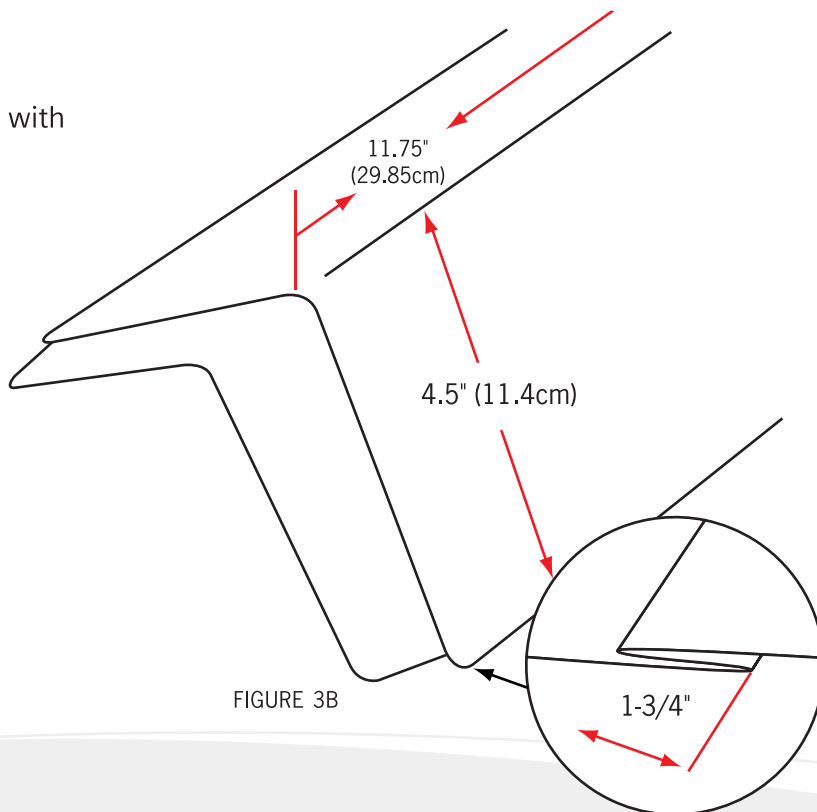


FIGURE 3B

Design Flexibility

May be applied to arched or curved surfaces. Will adapt to any roof line.

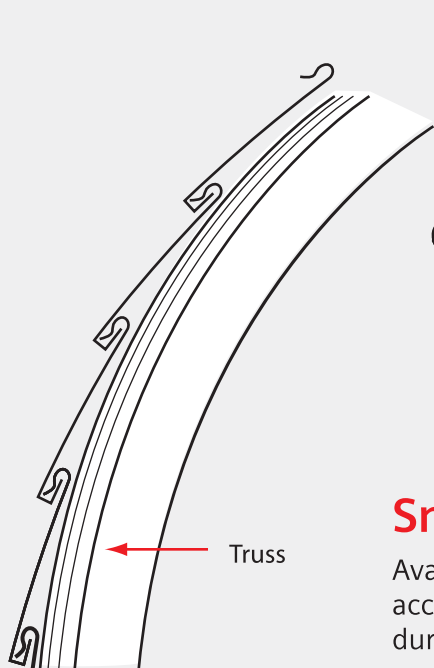


FIGURE 3C

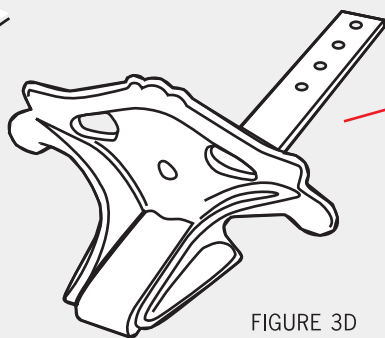


FIGURE 3D

Snow Guards

Available in a variety of colors to accent your roof, and are applied during the shingle installation.

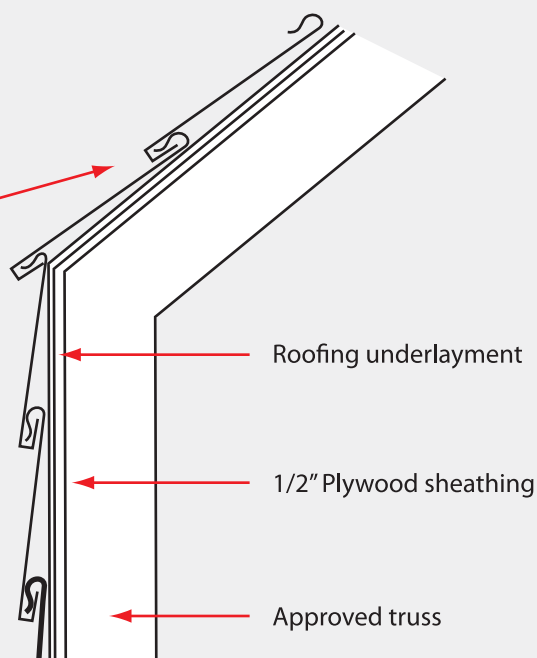
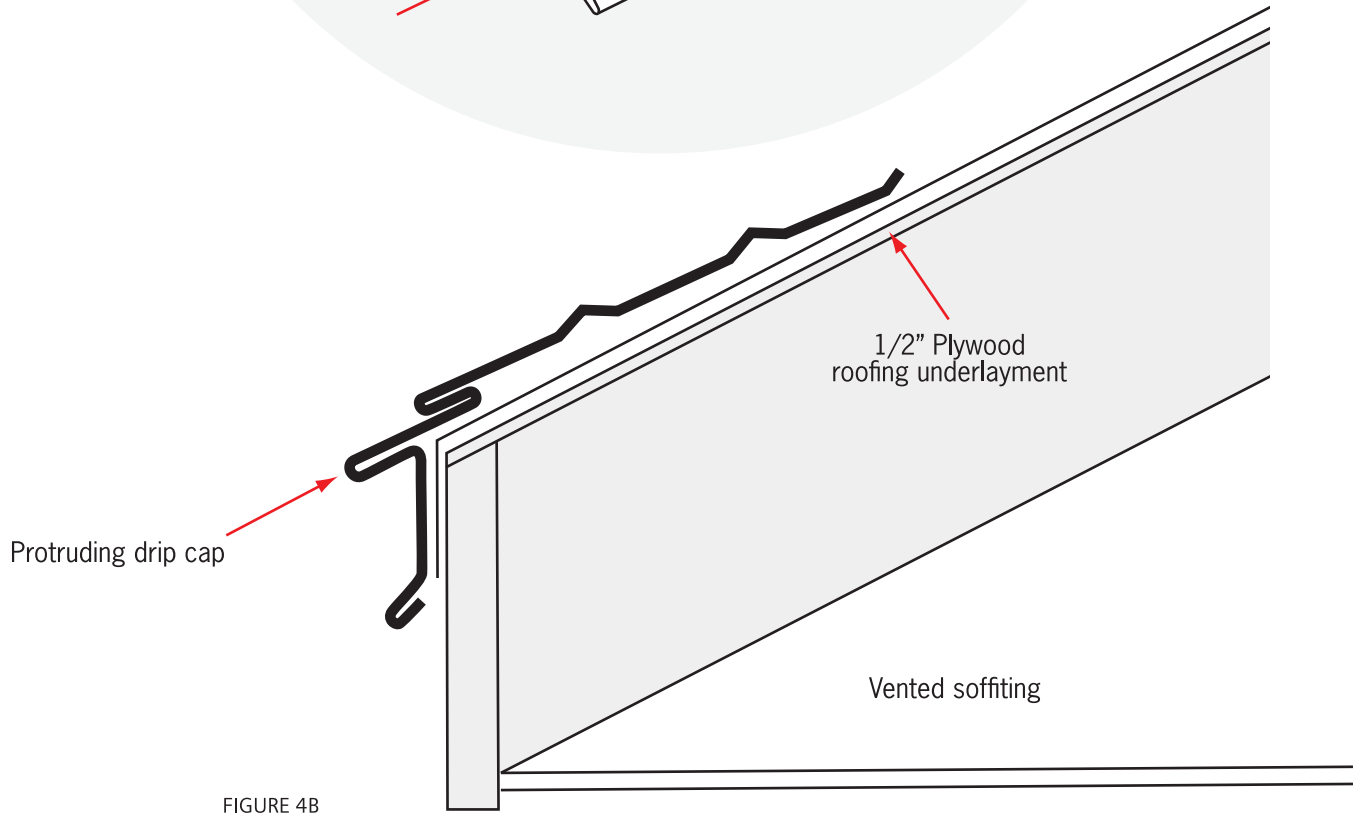
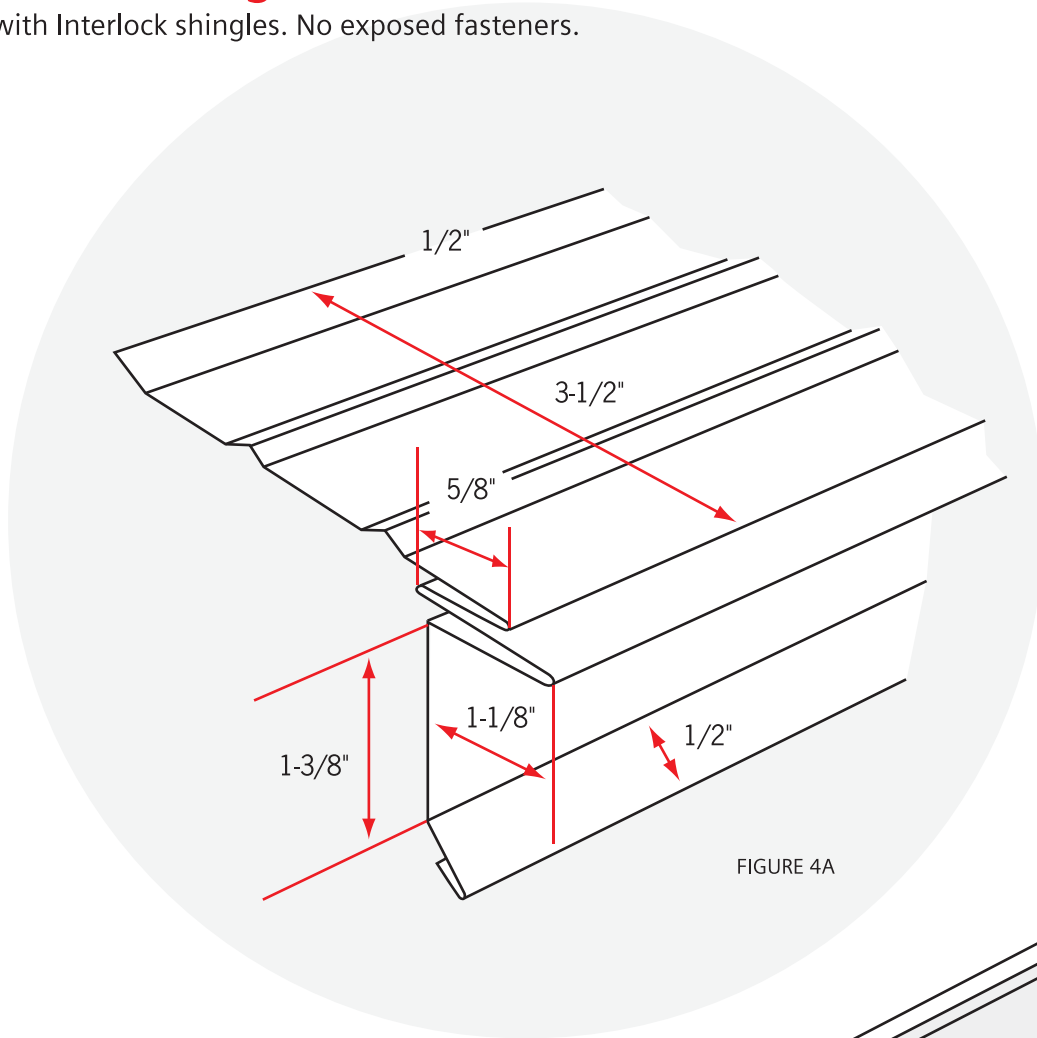


FIGURE 3E

Depending upon the slope of your roof, the direction it faces, geographic and weather conditions, you may wish to consider using snow guards. Snow guards are designed to help prevent accumulative snowfall from falling onto areas where such an occurrence is undesirable. The snow guards are manufactured from cast aluminum and are designed to provide a sturdy, weather-resistant design.

Starter / Gable Flashing

Trim seam locks with Interlock shingles. No exposed fasteners.



Valley Trim

Provides smooth, obstruction-free path for precipitation, no projections to catch debris or snow. Shingles lock into valley lock on each side.

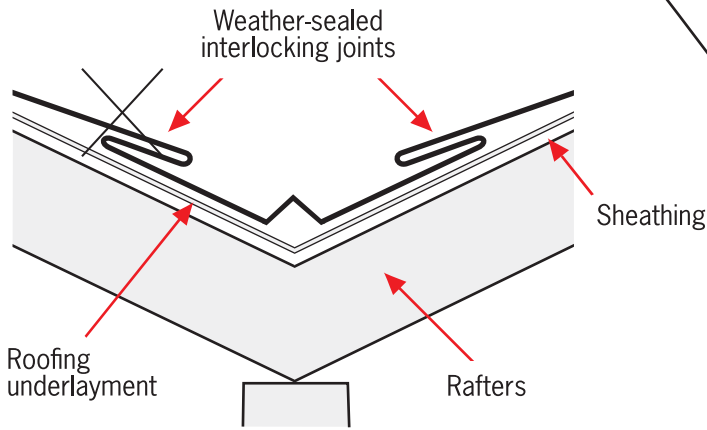


FIGURE 5A

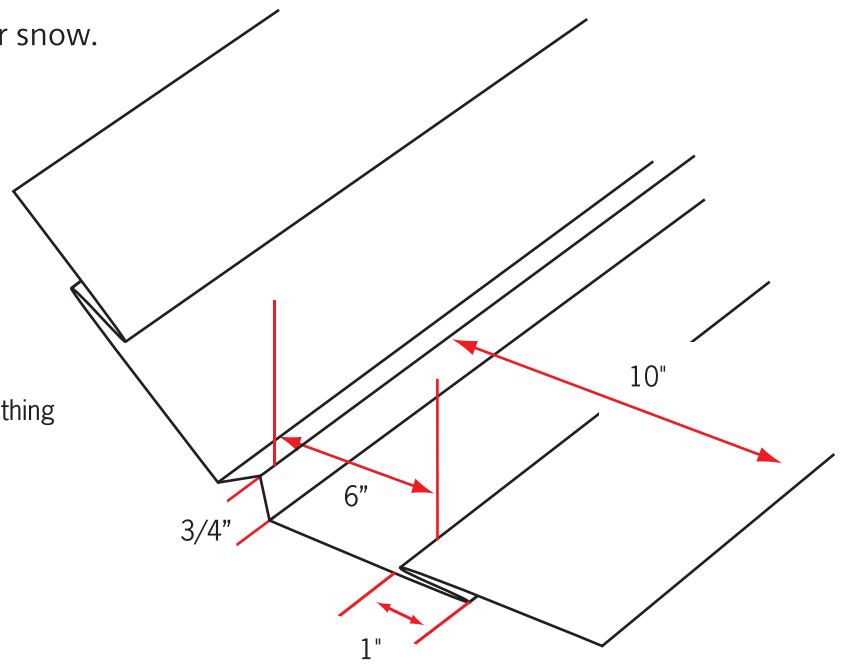


FIGURE 5B

End Wall / Side Wall

Used around chimneys, end walls and side walls. Shingle can then be locked on.

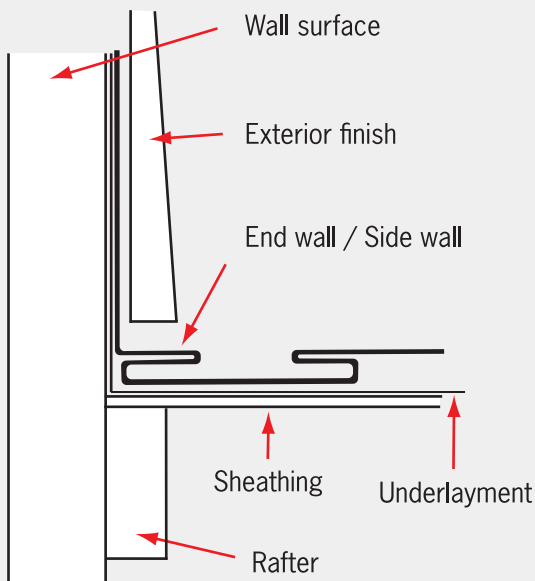


FIGURE 5C

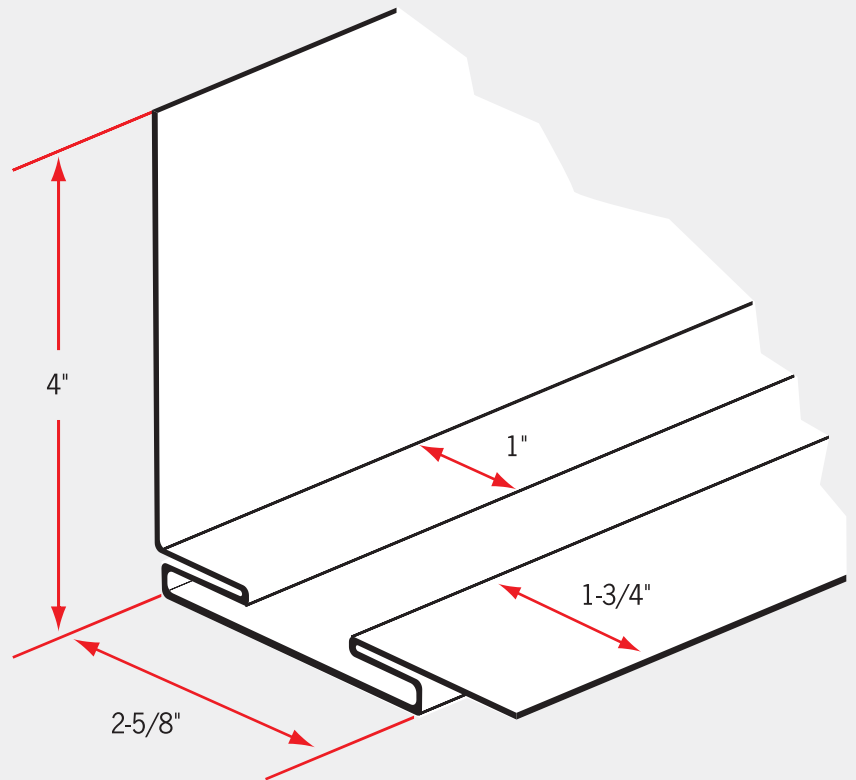
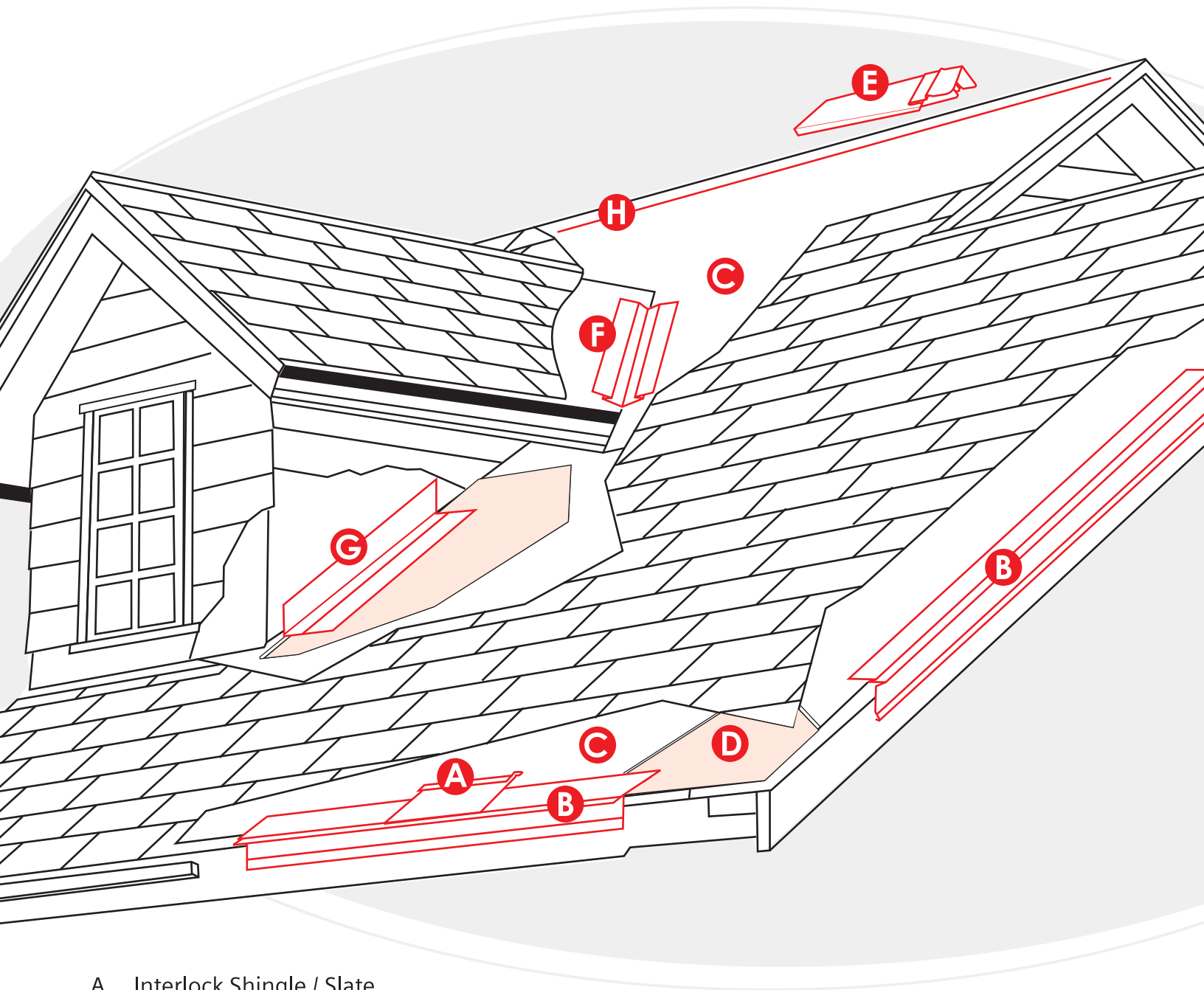


FIGURE 5D

Ridge Vents

Are also available as an option for additional venting. Ridge venting is installed underneath the ridge caps.



- A Interlock Shingle / Slate
- B Starter Gable
- C Underlayment
- D Sheathing
- E Ridge Cap
- F Valley Trim
- G End Wall / Side Wall
- H Ridge Vent

TESTING REPORTS

ICC Evaluation Report 4479

CCMC Evaluation Report 10475

Color Guide

Interlock Roofing Ltd. offers a highly durable aluminum roofing product available in a range of different colors, opening up an extensive palette for homeowners and designers.

Interlock® roofs are exclusively protected for a lifetime by the Alunar® Coating System embedded with TEFLON® surface protector.



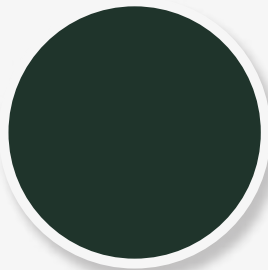
Aged Copper



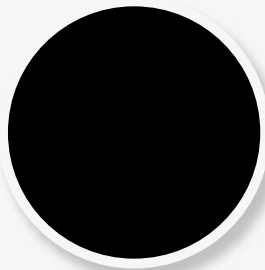
Weathered Grey



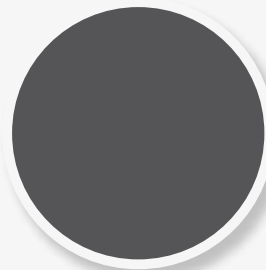
Solid Copper



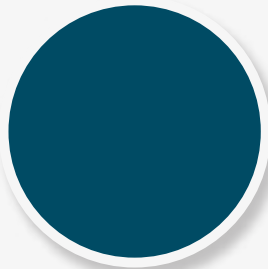
Dark Green



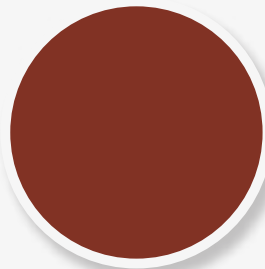
Black



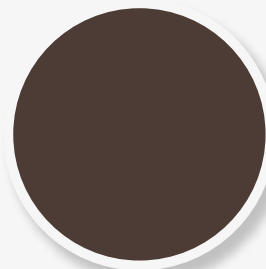
Charcoal Grey



Royal Blue



Tile Red



Tudor Brown

The Interlock® Roof featuring the Alunar® Coating embedded with TEFLON® surface protector provides homeowners the ultimate in durability and protection from stains, moisture and organic debris.

Actual product color may differ to that represented on manual. Product design and installation technique may vary from represented shown on manual. Installation methods may vary by structure, region, climate, and local building codes. Certain variables and factors specific to your home may inhibit the product's ability to shed snow. Roofing products and components may change without notice. Please see our website for more information. Roofing products are NOT included in Canada's ENERGY STAR program.



Interlock Roofing Ltd.
9969 River Way, Delta, BC V4G 1M8

1-866-766-3388 www.GoInterlock.com

©2011 Interlock Roofing Ltd. All rights reserved. Interlock and Alunar logos are Registered Trademarks of I.E.L. Manufacturing Ltd.

TEFLON® is a registered Trademark of E.I. du Pont de Nemours and Company used under license. The ENERGY STAR name and the ENERGY STAR symbol are registered trademarks of the United States Environmental Protection Agency and are used with permission. When installed properly, this product will help reduce energy costs. Actual savings will vary based on geographic location and individual building characteristics. Consult your product manufacturer, roofing contractor, or call 1-888-STAR-YES (1-888-782-7937) for more information. Contractor No. AK #31107, CT #566583, IL #104-013389, MA #139640, MN #20431129, OR #130826, NY PC #3360, NY Westchester County #WC-20436-H08, RI #18345, WA #INTERIO20LC, WI #898136

SP20110818